



**SCIENTIFIC COMMITTEE
THIRD REGULAR SESSION**

13-24 August 2007
Honolulu, United States of America

**Guide for complying with regulations to reduce interactions between
seabirds and Hawaii-based longline vessels**

WCPFC-SC3-EB SWG/IP-10

National Marine Fisheries Service¹

¹NMFS Pacific Islands Regional Office, 1601 Kapiolani Blvd, Suite 1110, Hawaii 96814, Honolulu, USA



SEABIRD COMPLIANCE GUIDE¹

Guide for Complying with Regulations to Reduce Interactions between Seabirds and Hawaii-Based Longline Vessels

January 18, 2006

This guide summarizes how to comply with seabird regulations published in the *Federal Register* on December 19, 2005 (70 FR 75075). These measures are intended to reduce interactions between seabirds and Hawaii-based longline fishing vessels.

This guide provides information only about the rule published on December 19, 2005. There are additional requirements for seabird avoidance and mitigation. For the complete set of official regulations, please refer to Title 50 of the Code of Federal Regulations, Part 660 (50 CFR 660).

Regulations are subject to change, so fishermen must familiarize themselves with the most recent changes and are responsible to comply with them. Any discrepancies between this compliance guide and the regulations will be resolved in the favor of the regulations published in the *Federal Register* (70 FR 75075, December 19, 2005).

Q1. Who is affected by the new regulations?

A1. The regulations apply to owners and operators of vessels that are registered for use under a Hawaii longline limited access permit.

Q2. When do the new regulations take effect, and for how long are they effective?

A2. The seabird regulations took effect on January 18, 2006, and will remain in effect until they are revised or removed by the National Marine Fisheries Service (NMFS).

Q3. What is the purpose of these new regulations?

A3. The new regulations are intended to reduce interactions between seabirds and longline fishing activities. The regulations implement fishing gear and operational requirements that should reduce the likelihood of birds being accidentally hooked, entangled, and killed during fishing operations. NMFS, the Western Pacific Fishery Management Council (WPFMC), and the

¹ This compliance guide is issued in accordance with Section 212 of the Small Business Regulatory Enforcement Fairness Act of 1996: title II of Public Law 104-121.

fishing industry collaborated on research to test these seabird deterrent measures, and NMFS has approved and implemented them.

Q4. *What general types of requirements does this final rule contain?*

A4.

1. Implementation of a requirement to either side-set or use a combination of other seabird mitigation measures; and
2. Modification to the requirement for strategic offal discards.

Q5. *Where do the new regulations apply?*

A5. The new regulations apply to those vessels that shallow-set (targeting swordfish) anywhere, and to those vessels that deep-set (targeting bigeye tuna) north of 23° N. latitude.

Q6. *What are the new regulations?*

A6. Vessel owners and operators must either side-set following NMFS specifications described below or, if not side-setting, use the suite of alternative measures described below.

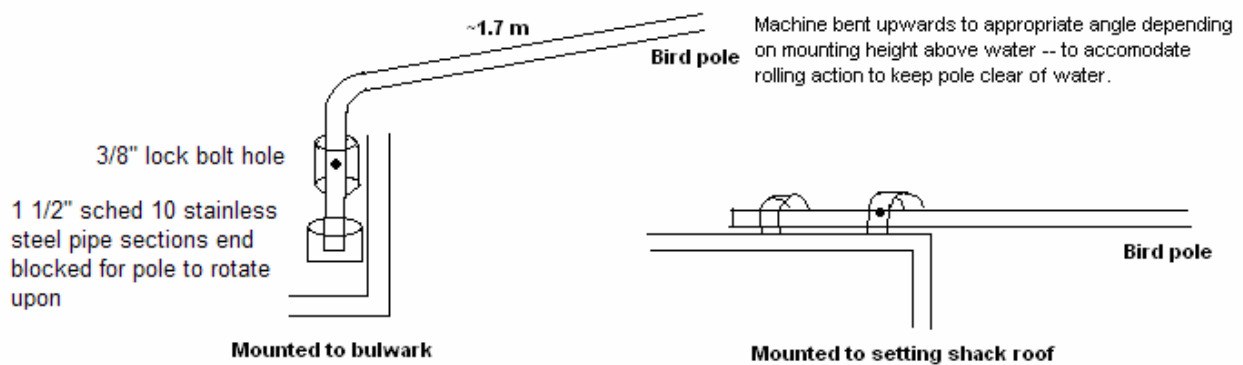
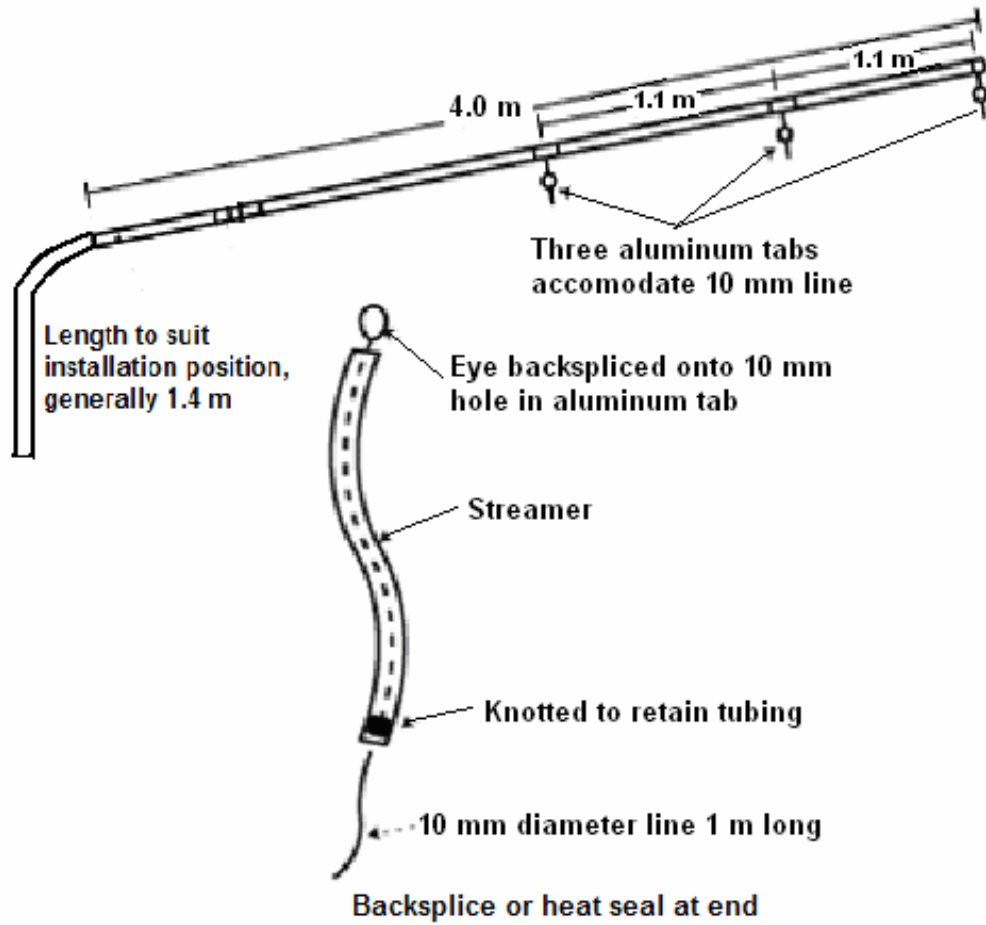
Q7. *What are the side-setting requirements?*

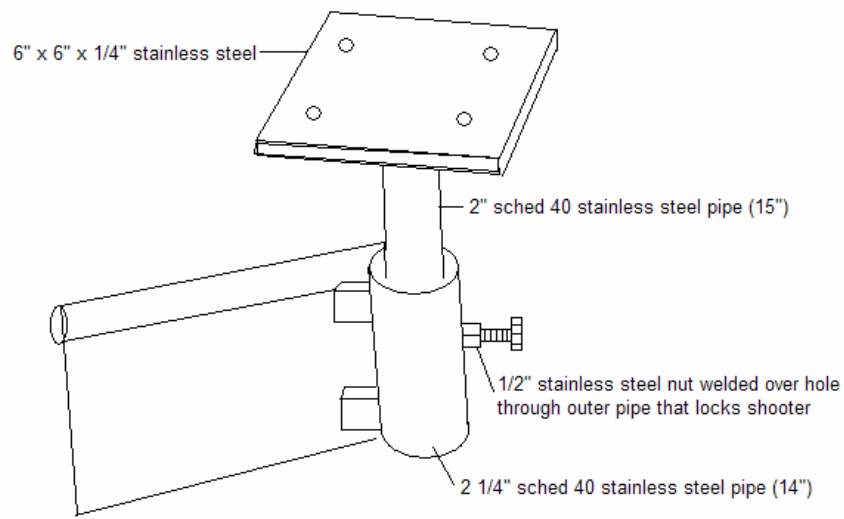
A7. Side-setting deploys longline gear from the side of the vessel rather than from the stern. All permit holders that choose to side-set may do so with no additional seabird deterrents. However, all side setting vessels must conform to the following specifications:

- The mainline must be deployed as far forward on the vessel as practicable, but at least 1 m (3.3 ft) forward from the stern of the vessel;
- The mainline and branch lines must be set from the port or the starboard side of the vessel;
- If a mainline shooter is used, the mainline shooter must be mounted as far forward on the vessel as practicable, but at least 1 m (3.3 ft) forward from the stern of the vessel;
- Branch lines must have weights with a minimum weight of 45 g (1.6 oz);
- Weights must be placed on all branch lines within 1 m (3.3 ft) of each hook;
- When seabirds are present, the longline gear must be deployed so that baited hooks remain submerged and do not rise to the sea surface; and
- A bird curtain must be deployed (see figures for examples of construction design). Each bird curtain must consist of the following components:
 - A pole that is fixed to the side of the vessel aft of the line shooter and that is at least 3 m (9.8 ft) long;
 - At least three main streamers attached at regular intervals to the upper 2 m (6.6 ft) of the pole and each of which has a minimum diameter of 20 mm (0.8 in); and
 - Branch streamers attached to each main streamer at the end opposite from the pole, each of which is long enough to drag on the sea surface in the absence of wind, and each of which has a minimum diameter of 10 mm (0.4 in).

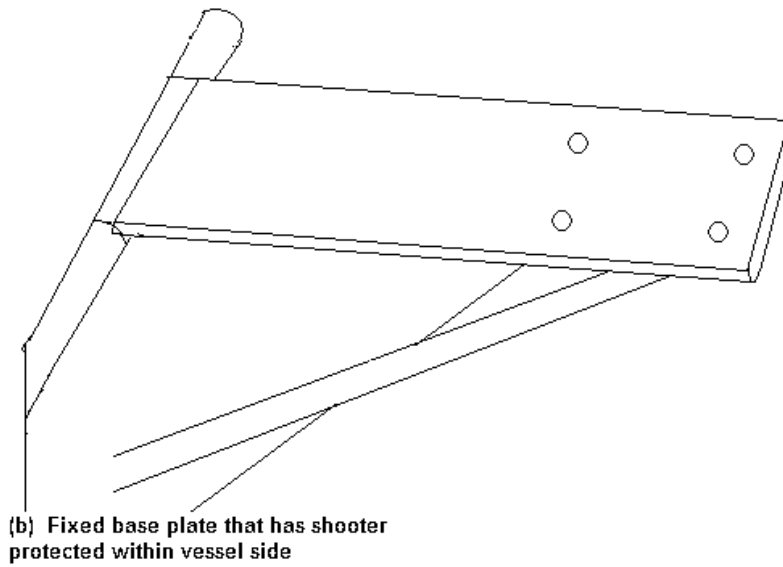
Examples of recommended design elements for bird curtain.

(Source: Brothers, N. and E. Gilman. 2005. Technical Assistance for Hawaii Pelagic Longline Vessels to Change Deck Design and Fishing Practices to Side Set. Hawaii Longline Association, NOAA Fisheries, and Western Pacific Fishery Management Council, Honolulu, Hawaii.)





(a) Swivel base for mainline shooter



Q8. What is the alternative to side-setting and its requirements?

A8. The required alternative to side-setting is to use a combination of currently required measures specified by NMFS. This combination includes all of the following:

- Strategic Offal Discards. Discharge fish and fish parts (offal) or spent bait while setting or hauling longline gear on the opposite side of the vessel from where the longline gear is being set or hauled, when seabirds are present; and
- Blue Dyed Thawed Bait.
 - Use completely thawed bait that has been dyed blue to an intensity level specified by a color quality control card issued by NMFS; and
 - Maintain a minimum of two cans (each sold as 0.45 kg or 1 lb size) containing blue dye on board the vessel.

Q9. What additional requirements apply to vessels that do not side-set?

A9. The following additional requirements apply to vessels that do not side set.

For vessels that deep-set north of 23° N. latitude:

- Use basket-style mainline gear, OR
- If using monofilament nylon mainline gear, employ a line shooter; AND
- Attach at least 45 g (1.6 oz) of weight to each branch line within 1 m (3.3 ft) of each hook.

For vessels that shallow-set anywhere:

- Night set. Begin deployment of longline gear at least 1 hr after local sunset and complete the deployment no later than 1 hr before local sunrise, using the minimum vessel lights necessary to conform to navigation rules and best safety practices.

Q10. What modification was made to the requirement for strategic offal discards?

A10. The requirements were modified to specify that offal must be strategically discarded only when seabirds are present.

Q11. What are the penalties for the operator or owner of a vessel who does not follow these regulations?

A11. Penalties are determined on a case-by-case basis; they can include significant administrative, civil, or criminal penalties.

Q12. *Where can I obtain additional copies of this guide or more information about these regulations?*

A12.

Pacific Islands Regional Office
NOAA National Marine Fisheries Service
1601 Kapiolani Blvd. 1110
Honolulu, Hawaii 96814

<http://swr.nmfs.noaa.gov/pir/guides.htm>

You can also read the *Federal Register* notice for this rule (*Federal Register* vol. 70, No. 242, pp. 75075-75080, December 19, 2005).

- end -